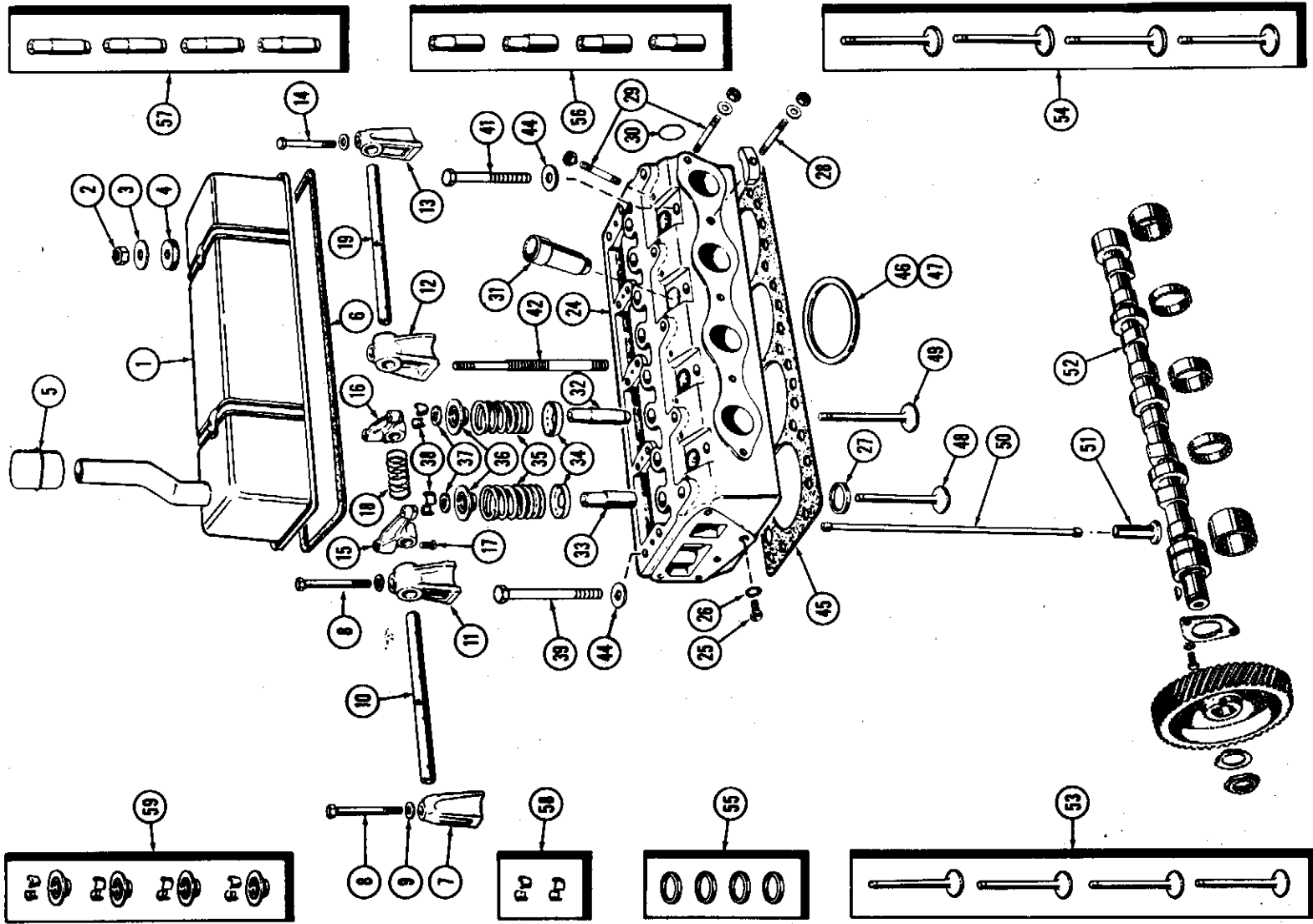


(188) DIESEL ENGINE  
CYLINDER HEAD ASSEMBLY  
CASTING NO. A36876

REF.	PART NO.	DESCRIPTION	REQ'D
1	G 11998	COVER - valve	1
2	25- 106	NUT - 3/8" N. C. hex.	2
3	G 49400	WASHER - cover nut.	2
4	G 46867	GROMMET - rubber	2
5	A 36608	CAP - breather	1
6	G 46866	GASKET - cover to head	1
7	G 2100	BRACKET - front, rocker arm shaft.	1
8	13- 656	BOLT - 3/8" x 3-1/2" N. C. hex. hd.	4
9	A 30058	WASHER - bracket bolt	5
10	A 38181	SHAFT - front, rocker arm (Replaces G11743)	1
11	G 2101	BRACKET - center, rocker arm shaft	1
12	G 2102	BRACKET - intermediate, rocker arm shaft	2
13	A 36615	BRACKET - rear, rocker arm shaft	1
14	G 49067	BOLT - drilled, rear bracket	1
15	G 45770	ROCKER ARM - R. H. (includes ref. 17)	4
16	G 45771	ROCKER ARM - L. H. (includes ref. 17)	4
17	G 49075	SCREW - adjusting	1
18	G 48501	SPRING - rocker arm shaft	4
19	A 38181	SHAFT - rear, rocker arm (Replaces G11747)	1
24	A 36880	HEAD ASSY. - cylinder (casting No. A36876)	1
25	G 49083	BOLT - drilled gear cover	1
26	193- 77	LOCKWASHER - 1/2" ET Shakeproof	1
27	NSS	INSERT - valve seat (See ref. 55)	4
28	A 35175	STUD - manifold clamp (3/8" x 2-7/16")	6
29	A 29431	STUD - manifold & injector (3/8 x 1-3/4")	12
30	A 30036	PLUG - expansion, 1-3/4" dia.	1
31	G 11724	LINER - fuel injector	4
32	NSS	GUIDE - intake valve (See ref. 57)	4
33	NSS	GUIDE - exhaust valve (See ref. 56)	4
34	G 49065	SEAT - valve spring	8
35	A 30025	SPRING - valve	8
36	NSS	RETAINER - valve spring (See ref. 59)	8
37	G 46851	SEAL - rubber, valve stem	8
38	NSS	LOCK - retainer, valve spring (See ref. 58)	16
39	A 36902	STUD - head to block (1/2" x 5-5/8")	11
39	A 36905	STUD - head to block (1/2" x 6-1/8")	2
41	A 36904	STUD - head to block (1/2" x 4")	4
42	A 36903	STUD - head & cover (1/2" N. C. thrd.)	2
42	A 36562	STUD - head & cover (1/2" N. F. thrd.)	2
43	A 37030	NUT - head stud.	19
43	A 30021	NUT - stud (1/2" N. F. thrd.)	2
44	A 37029	WASHER - head stud (Replaces A29288)	19
45	A 36877	GASKET - head to block	1
46	A 36900	RING - fire, cylinder orange mark (See ref. 47)	4
47	A 37031	RING - fire (oversize thickness)(black mark)	4
48	NSS	VALVE - exhaust (See ref. 53)	4
49	NSS	VALVE - intake (See ref. 54)	4
50	G 47079	ROD - push.	8
51	G 47077	TAPPET - valve	8
52	A 39013	CAMSHAFT - (See Page 45)	1
53	A 41727	VALVES - exhaust (Set of 4)(Replaces G11948)	1
54	A 41726	VALVES - intake (Set of 4)(Replaces G11947)	1
55	G 11986	INSERTS - valve seat (Set of 4)	1
56	G 11946	GUIDES - exhaust valve stem (Set of 4)	1
57	G 11945	GUIDES - intake valve stem (Set of 4)	1
58	G 11929	LOCK - valve spring retainer (Set of 4)	4
59	G 11927	RETAINERS - valve spring (Set of 4 w/locks)	2

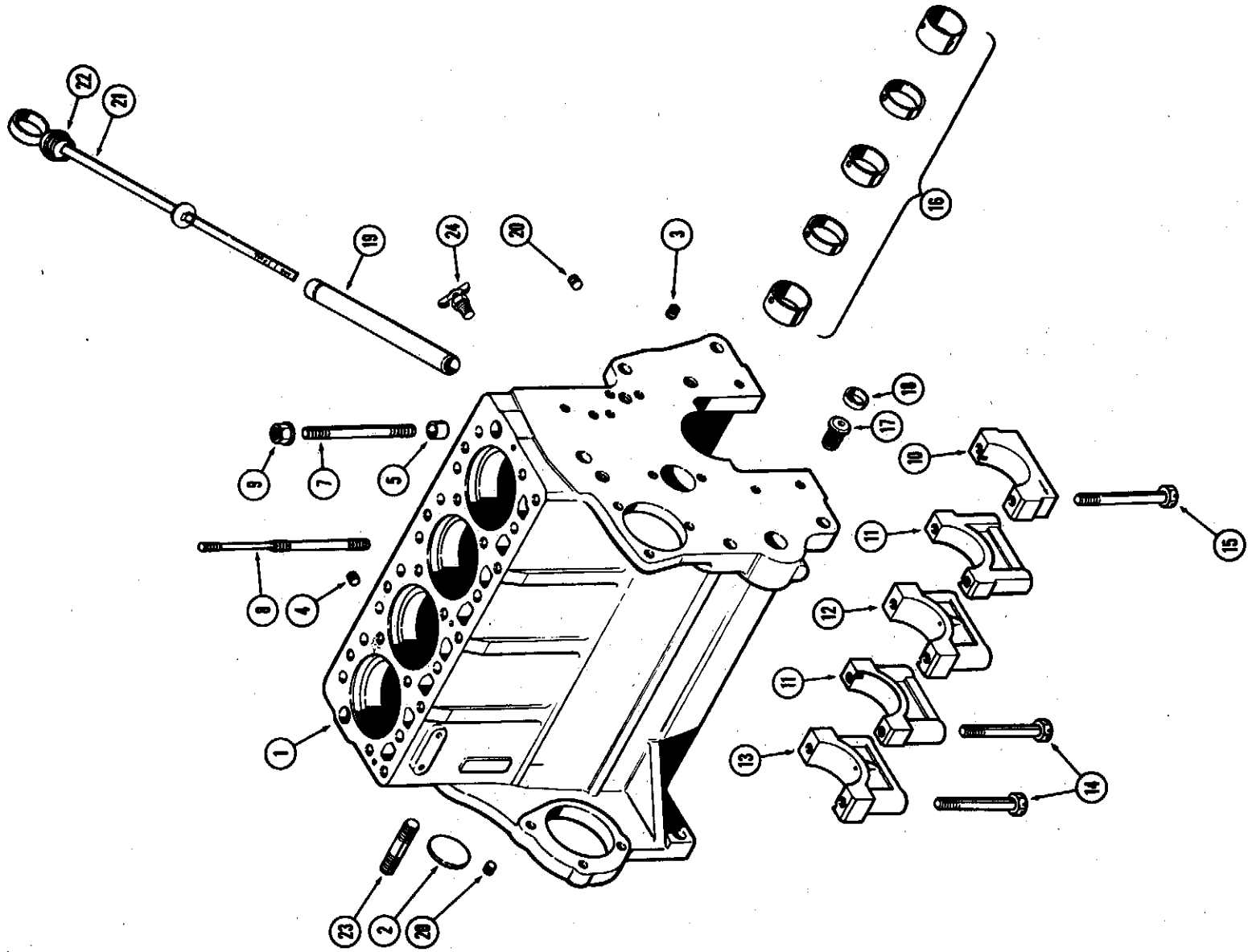
Printed in U.S.A.

Issued July, 1971



(188) DIESEL ENGINE  
CYLINDER HEAD ASSEMBLY  
CASTING NO. A36296

REF.	PART NO.	DESCRIPTION	REQ'D
1	G 11998	COVER - valve	1
3	G 49400	WASHER - cover nut.	2
2	25-106	NUT - 3/8" N. C. hex.	2
4	G 46867	GROMMET - rubber	2
5	A 36608	CAP - breather	1
6	G 46866	GASKET - cover to head	1
7	G 2100	BRACKET - front, rocker arm shaft	1
8	13-656	BOLT - 3/8" x 3-1/2" N. C. hex. hd.	4
9	A 30058	WASHER - bracket bolt	5
10	A 38181	SHAFT - front, rocker arm (Replaces G11745)	1
11	G 2101	BRACKET - center, rocker arm shaft	1
12	G 2102	BRACKET - intermediate, rocker arm shaft	2
13	A 36615	BRACKET - rear, rocker arm shaft	1
14	G 49067	BOLT - drilled, rear bracket	1
15	G 45770	ROCKER ARM - R. H. (includes ref. 17)	4
16	G 45771	ROCKER ARM - L. H. (includes ref. 17)	4
17	G 49075	SCREW - adjusting	1
18	G 48501	SPRING - rocker arm shaft	4
19	A 38181	SHAFT - rear, rocker arm (Replaces G11747)	1
24	*A 36764	HEAD ASSY. - cylinder (Casting No. A36296)	1
*NOTE: Order ref. 24 PN A36880 from Page 41			
25	G 49083	BOLT - drilled, gear cover	1
26	193-77	LOCKWASHER - 1/2" ET Shakeproof.	1
27	NSS	INSERT - valve seat (See ref. 55)	4
28	A 35175	STUD - manifold clamp (3/8" x 2-7/16")	6
29	A 29431	STUD - manifold & injector (3/8 x 1-3/4")	12
30	A 30036	PLUG - expansion, 1-3/4" dia.	1
31	G 11724	LINER - fuel injector	4
32	NSS	GUIDE - intake valve (See ref. 57)	4
33	NSS	GUIDE - exhaust valve (See ref. 56)	4
34	G 49065	SEAT - valve spring.	8
35	A 30025	SPRING - valve	8
36	NSS	RETAINER - valve spring (See ref. 59)	8
37	G 46851	SEAL - rubber, valve stem	8
38	NSS	LOCK - retainer, valve spring (See ref. 58)	16
39	A 35371	BOLT - head to block (1/2" x 5")	11
39	A 35372	BOLT - head to block (1/2" x 5-1/2")	2
41	A 35370	BOLT - head to block (1/2" x 3-1/4")	4
42	A 36903	STUD - head & cover.	2
44	A 37029	WASHER - head bolt & stud (Replaces A29288)	19
45	A 36877	GASKET - head to block	1
46	A 36900	RING - fire, cylinder (orange mark)(See ref. 47)	4
47	A 37031	RING - fire (Oversize thickness black mark)	4
48	NSS	VALVE - exhaust (See ref. 53)	4
49	NSS	VALVE - intake (See ref. 54)	4
50	G 47079	ROD - push.	8
51	G 47077	TAPPET - valve	8
52	A 39013	CAMSHAFT - (See Page 45)(Replaces A36853 & A38890)	1
53	A 41727	VALVES - exhaust (Set of 4)(Replaces G11948)	1
54	A 41726	VALVES - intake (Set of 4)(Replaces G11947)	1
55	G 11986	INSERTS - valve seat (Set of 4)	1
56	G 11946	GUIDES - exhaust valve stem (Set of 4)	1
57	G 11945	GUIDES - intake valve stem (Set of 4)	1
58	G 11929	LOCK - valve spring retainer (Set of 4)	4
59	G 11927	RETAINERS - valve spring (Set of 4 w/locks)	2



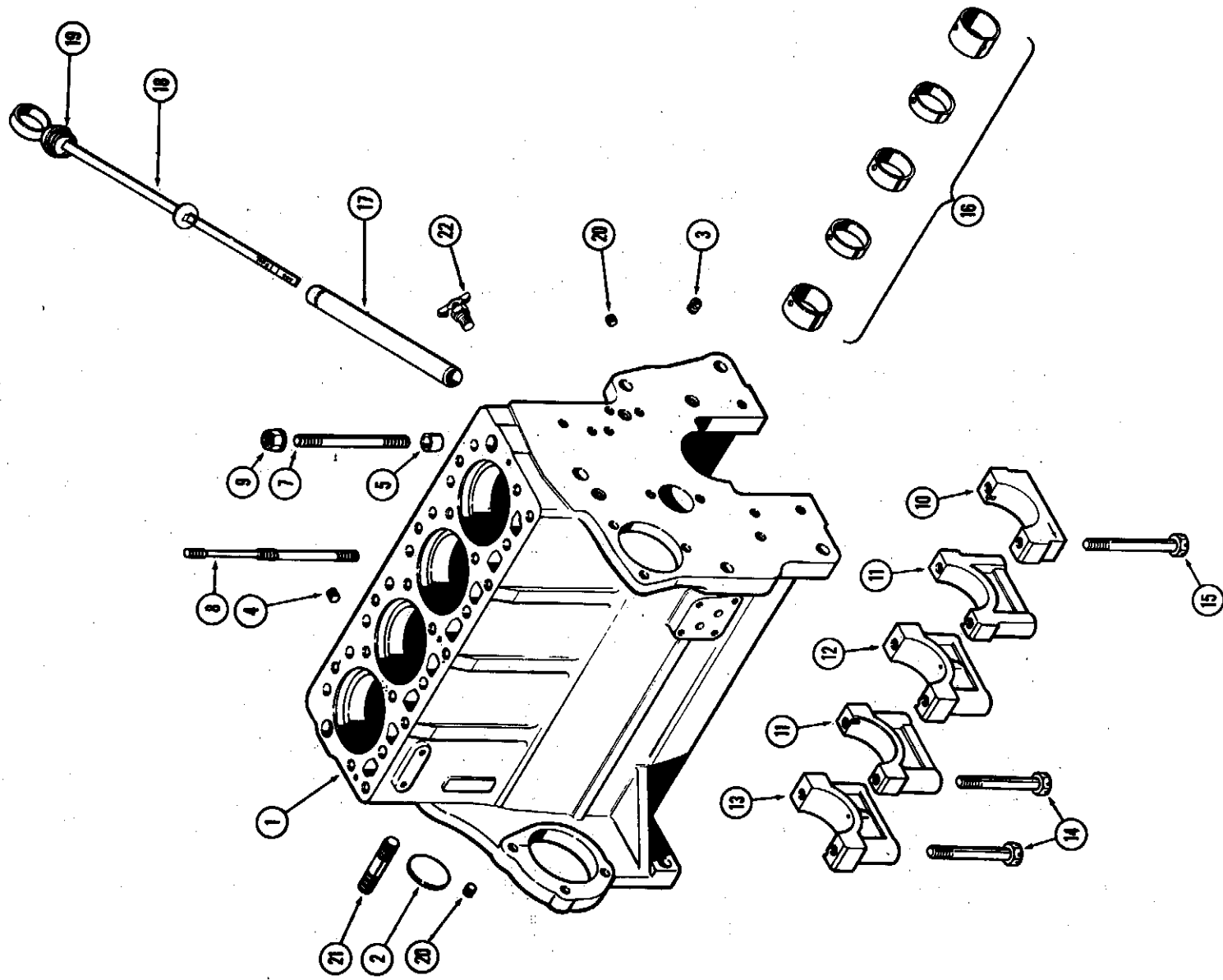
(188) DIESEL ENGINE  
CYLINDER BLOCK ASSY.  
FOR WIDE FLANGED SLEEVES  
WITH FLANGE MOUNTED OIL FILTER  
1ST USED ENG. SER. NO. 2614827

REF.	PART NO.	DESCRIPTION	REQ'D
A	40592	BLOCK ASSY. - short (Casting No. A37205)(See Note) (Incl. stripped block, crankshaft & brgs., camshaft & gear, piston assy., conn. rods & oil pump)	1
A	40818	BLOCK ASSY. - stripped (Casting No. A37205) (Order A41597)	1
A	30033	PLUG - camshaft hole (2-1/8" exp.)	1
G	49070	PLUG - oil gallery, front, drilled	1
221-	32	PLUG - water jacket (3/8" P.T., ctsk. sckt. hd.)	1
G	49608	DOWEL - ring, head locating	2
A	36904	STUD - cyl. head, 1/2" N.C. x 4"	4
A	36902	STUD - cyl. head, 1/2" N.C. x 5-5/8"	11
A	36905	STUD - cyl. head, 1/2" N.C. x 6"	2
A	36903	STUD - cyl. head & cover	2
A	37030	NUT - cyl. head studs, 1/2" N.C. flanged	19
G	2126	CAP - main bearing, front	1
G	2128	CAP - main bearing, intermediate	2
G	2127	CAP - main bearing, center	1
G	2129	CAP - main bearing, rear	1
26-	872	BOLT - brg. caps, 1/2 x 4-1/2" N.C. spec.	8
26-	882	BOLT - front brg. cap, 1/2 x 5-1/8" N.C. spec.	2
A	42746	BUSHING KIT - camshaft (Replaces A36317 & A41232)	1
A	37206	ADAPTER - oil filter	1
A	37207	PLUG - adapter, 1" cup type	1
A	37149	TUBE - oil filler & dipstick guide	1
A	30031	PLUG - oil gallery, 1/4" P.T., ctsk. sckt. hd.	2
A	37148	DIPSTICK ASSY.	1
F	62075	"O" RING - dipstick, 3/4 x 1 x 1/8"	2
A	29333	STUD - engine, 5/8" N.C. x 3"	2
217-	103	COCK - drain, cyl. block	1

SEE PAGE 47 FOR SLEEVE DATA

NOTE

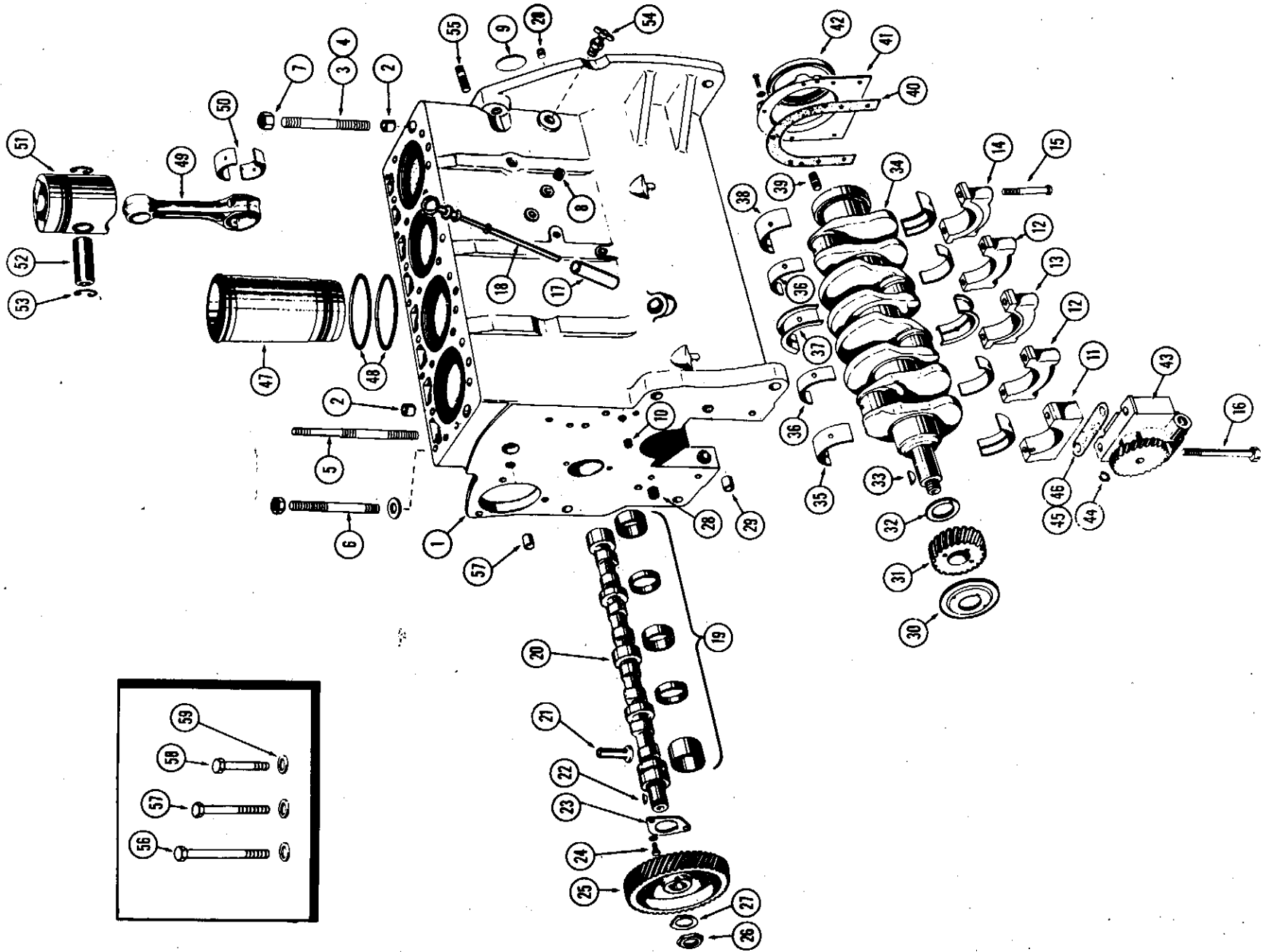
LATE PRODUCTION OF A40592 SHORT BLOCK ASSY.  
USE CASTING NO. A37205 WHICH IS MACHINED  
TO USE NARROW OR WIDE FLANGED SLEEVES  
AND ALSO ELIMINATES THE OIL FILTER BRACKET.  
A37205 CASTING IS ALSO USED IN SHORT BLOCK ASSY.  
PROVIDED FOR LATER PRODUCTION TRACTORS.  
THIS ASSY. INCLUDES A CRANKSHAFT THAT IS SPLINED  
AT REAR FOR USE WITH LATER P.T.O. SHAFTS.  
P.T.O. SHAFTS SHOWN IN THIS CATALOG REQUIRE  
CRANKSHAFT WITH PILOT BUSHING IN REAR.  
CRANKSHAFTS CAN BE IDENTIFIED BY CHECKING  
AT REAR OF BLOCK ASSY.



(188) DIESEL ENGINE  
CYLINDER BLOCK ASSY.  
FOR WIDE FLANGED SLEEVES  
WITH BRACKET MOUNTED OIL FILTER  
USED ENG. SER. NOS. 2610997 THRU 2614826

REF.	PART NO.	DESCRIPTION	REQ'D
	NS	BLOCK ASSY. - short (Casting No. A37770) (Order A40592)(See Page 41D)	1
1	NS	BLOCK ASSY. - stripped (Casting No. A37770) (Order A40818)(See Page 41D)	1
2	A 30033	PLUG - camshaft hole, 2-1/8" exp.	1
3	G 49070	PLUG - oil gallery, front, drilled	1
4	221- 32	PLUG - water jacket, 3/8" P.T., ctsk. sckt. hd.	1
5	G 49608	DOWEL - ring, head locating	2
7	A 36904	STUD - cyl. head, 1/2" N.C. x 4"	4
7	A 36902	STUD - cyl. head, 1/2" N.C. x 5-5/8"	11
7	A 36905	STUD - cyl. head 1/2" N.C. x 6"	2
8	A 36903	STUD - cyl. head & cover	2
9	A 37030	NUT - cyl. head studs, 1/2" N.C. flanged	19
10	G 2126	CAP - main bearing, front	1
11	G 2128	CAP - main bearing, intermediate	2
12	G 2127	CAP - main bearing, center	1
13	G 2129	CAP - main bearing, rear	1
14	26- 872	BOLT - brg. caps, 1/2 x 4-1/2" N.C. spec.	8
15	26- 882	BOLT - front brg. cap, 1/2 x 5-1/8" N.C. spec.	2
16	A 42746	BUSHING KIT - camshaft (Replaces A36317 & A41232)	1
17	A 37149	TUBE - dipstick, w/bead	1
18	A 37148	DIPSTICK ASSY.	1
19	F 62075	"O" RING - 3/4 x 1 x 1/8"	2
20	A 30031	PLUG - oil gallery, 1/4" P.T., ctsk. sckt. hd.	2
21	A 29333	STUD - engine, 5/8" N.C. x 3"	2
22	217- 103	COCK - drain, cyl. block	1

SEE PAGE 47 FOR SLEEVE DATA





(188) DIESEL ENGINE  
CYLINDER BLOCK ASSEMBLY  
USED ENG. SER. NOS. 2117952 THRU 2610997

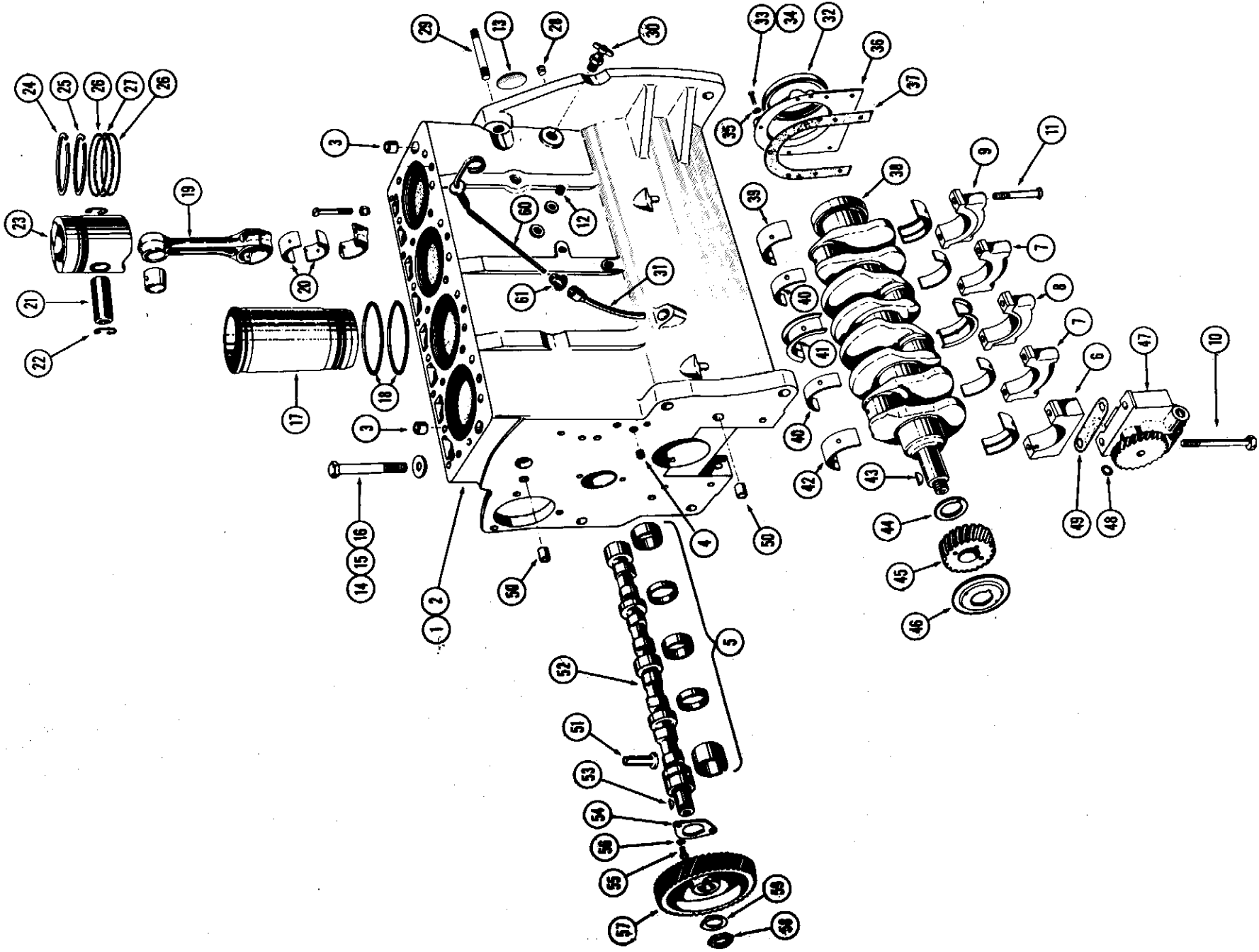
REF.	PART NO.	DESCRIPTION	REQ'D
1	A 40592	SHORT BLOCK ASSY.	1
1	A 40590	BLOCK ASSY. - stripped (Order A41597)	1
2	G 49608	RING - dowel, head to block.	2
3	A 36902	STUD - head (1/2" x 5-5/8") See ref. 57.	11
4	A 36905	STUD - head (1/2" x 6") See ref. 56.	2
5	A 36903	STUD - head and cover.	2
6	A 36904	STUD - head (1/2" x 4") See ref 58.	4
7	A 37030	NUT - head stud.	19
8	221- 32	PLUG - pipe, 3/8" socket hd.	1
9	A 30033	PLUG - expansion, 2-1/8" dia.	1
10	G 49070	PLUG - drilled, front.	1
11	G 2126	CAP - front brg., crankshaft.	1
12	G 2128	CAP - intermediate brg., crankshaft.	2
13	G 2127	CAP - center bearing, crankshaft.	1
14	G 2129	CAP - rear bearing, crankshaft.	1
15	26- 872	BOLT - bearing cap (1/2" x 4-1/2")	8
16	26- 882	BOLT - bearing cap (1/2" x 5-1/8")	2
17	A 37149	TUBE - support, dipstick.	1
18	A 37148	DIPSTICK - oil level	1
19	A 42746	BUSHING SET - camshaft (Replaces A36317 & A41232)	1
20	A 39013	CAMSHAFT - (Replaces A38853 & A38890)	1
21	G 47077	TAPPET - valve	8
22	126- 12	KEY - gear to camshaft.	1
23	A 29290	PLATE - thrust, camshaft.	1
24	A 30056	SCREW - thrust plate	2
25	A 38931	GEAR - camshaft (Replaces G2066)	1
26	A 30063	NUT - camshaft gear	1
27	A 29438	LOCKWASHER - camshaft nut	1
28	A 30031	PLUG - front and rear.	2
29	A 29442	RING - dowel	2
30	A 29259	SLINGER - oil, crankshaft gear.	1
31	A 29263	GEAR - crankshaft.	1
32	A 29294	SPACER - thrust, crankshaft	1
33	126- 216	KEY - gear & pulley to crankshaft.	2
34	G 11889	CRANKSHAFT - (See Page 45)(Order A39160)	1
35	A 36480	LINERS - bearing, front (See Page 45).	1
36	A 36485	LINERS - bearing, intermediate (See Page 45).	2
37	A 36490	LINERS - bearing, center (See Page 45).	1
38	A 36495	LINERS - bearing, rear (See Page 45)	1
39	A 29434	STUD - flywheel to crankshaft.	1
40	A 38196	GASKET - oil seal retainer (Replaces G46802)	1
41	A 38390	RETAINER - rear oil seal (Replaces G2017)	1
42	A 39027	OIL SEAL - rear, crankshaft (Replaces A36610)	1
43	A 38372	OIL PUMP - (See Page 49)(Replaces G37070)	1
44	A 27365	"O" RING - oil port	1
45	G 11337	SHIM - pump to block (.002")	2
46	G 11338	SHIM - pump to block (.005")	1
47	G 2110	SLEEVE - cylinder (Page 47)	4
48	G 46888	"O" RING - sleeve packing.	8
49	G 11847	CONNECTING ROD ASSY. - (See Page 47).	4
50	A 36500	LINERS - bearing (See Page 45)	4
51	A 38424	PISTON - (See Page 47)(Replaces G2137)	4
52	NSS	PIN - piston (See Page 47).	4
53	G 46702	RING - retaining (See Page 47)	8
54	217- 103	* DRAIN COCK.	1
55	A 29333	* STUD - engine mounting (5/8 x 3").	2

NOTE: Following bolts used on engines before #2121318 instead of studs ref. 3, 4, & 6.

56	A 35372	BOLT - head to block (1/2" x 5-1/2").	2
57	A 35371	BOLT - head to block (1/2" x 5").	11
58	A 35370	BOLT - head to block (1/2" x 4").	4
59	A 37029	WASHER - head bolt (Replaces A29288)	18

Printed in U.S.A.

Issued July, 1971

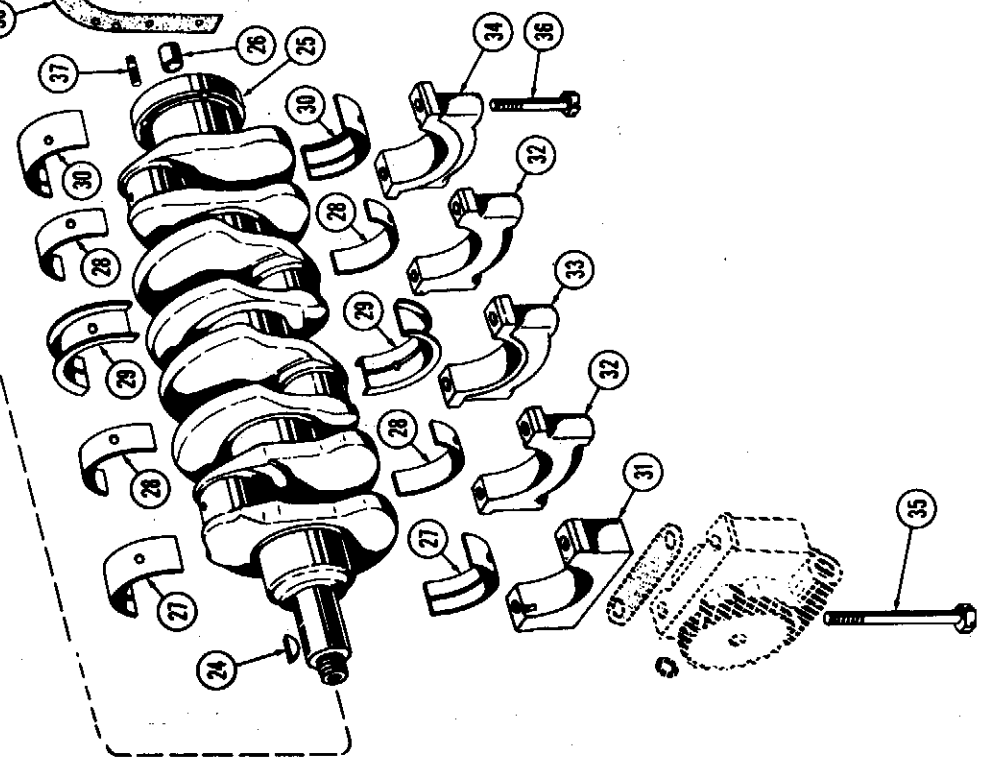
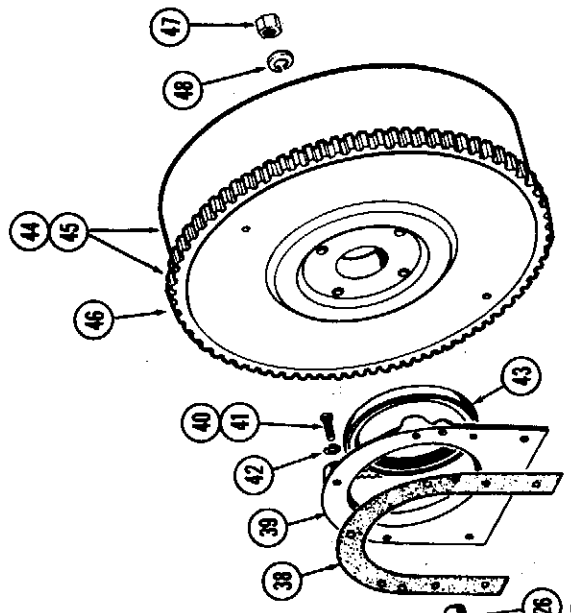
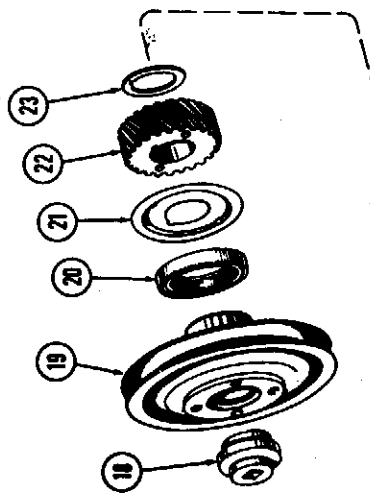
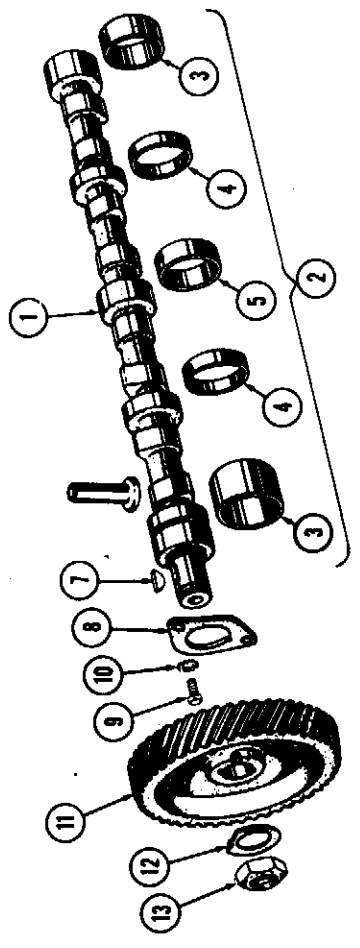


(188) DIESEL ENGINE  
CYLINDER BLOCK ASSEMBLY  
BEFORE ENG. NO. 2117952

REF	PART NO.	DESCRIPTION	REQ'D
1	A 36315	SHORT BLOCK ASSY. (Order A40592, Page 43).	1
2	A 36309	BLOCK ASSY. - stripped (Order A40590, Page 43).	1
3	G 49608	RING - dowel, head to block.	2
4	G 49070	PLUG - oil gallery, front.	1
5	A 42746	BUSHING SET - crankshaft (Replaces A36317 & A41232).	1
6	G 2126	CAP - front brg., crankshaft.	1
7	G 2128	CAP - intermediate brg., crankshaft.	2
8	G 2127	CAP - center brg., crankshaft.	1
9	G 2129	CAP - rear brg., crankshaft.	1
10	26- 882	BOLT - front brg. cap (1/2" x 5-1/8").	2
11	26- 872	BOLT - brg. cap (1/2" x 4-1/2").	8
12	221- 32	PLUG - lift side (3/8" P. T.).	1
13	A 30033	PLUG - rear (2-1/8" dia.).	1
14	A 35370	BOLT - head (1/2" x 4").	4
15	A 35371	BOLT - head (1/2" x 5-5/8").	11
16	A 35372	BOLT - head (1/2" x 6").	2
17	G 2110	SLEEVE - cylinder (See Page 87).	4
18	G 46888	"O" RING - sleeve packing.	8
19	G 11847	CONNECTING ROD ASSY. - (See Page 47).	4
20	A 36500	LINERS - brg., conn. rod, Std. (See Page 47).	4
21	NSS	PIN - wrist (See Page 47).	4
22	G 46702	RING - retaining (See Page 47).	8
23	A 38424	PISTON - (See Page 47)(Replaces G2137).	4
24	G 4819	RING - piston, top (See Page 47).	4
25	G 4817	RING - compression (See Page 47).	4
26	G 47155	RAIL - oil, piston (See Page 47).	8
27	G 47174	SPACER - oil rail.	4
28	A 30031	PLUG - oil gallery (1/4" socket hd.)	2
29	A 29333	STUD - engine mounting (5/8" x 3").	2
30	217- 103	DRAIN COCK.	1
31	G 45139	SUPPORT - dipstick.	1
32	A 39027	OIL SEAL - rear, crankshaft (Replaces A36610).	1
33	13- 412	BOLT - 1/4" x 3/4" N. C. hex. hd.	4
34	13- 416	BOLT - 1/4" x 1" N. C. hex. hd.	3
35	92- 4	LOCKWASHER - 1/4" std.	7
36	A 38390	RETAINER - rear oil seal (Replaces G2017).	1
37	A 38196	GASKET - retainer, rear oil seal (Replaces G46802).	1
38	G 11889	CRANKSHAFT - (See Page 45).	1
39	A 36495	LINERS - rear bearing, std. (See Page 45).	1
40	A 36485	LINERS - intermediate brg., std. (See Page 45).	2
41	A 36490	LINERS - center brg., std. (See Page 45).	1
42	A 36480	LINERS - rear bearing, std. (see Page 45).	1
43	126- 216	KEY - gear & pulley to crankshaft.	2
44	A 29294	SPACER - thrust.	1
45	A 29263	GEAR - crankshaft.	1
45	A 29259	SLINGER - oil.	1
47	A 38372	OIL PUMP ASSY. - (See Page 49)(Replaces G37070).	1
48	A 27385	"O" RING - oil port.	1
49	G 11337	SHIM - pump to block (.002").	2
49	G 11338	SHDM - pump to block (.005").	1
50	A 29442	RING - dowel, gear cover.	2
51	G 47077	TAPPET - valve.	8
52	A 39013	CAMSHAFT - (Replaces A36853 & A38890).	1
53	126- 12	KEY - crankshaft gear.	1
54	A 29290	PLATE - thrust, camshaft.	1
55	A 30056	SCREW - thrust plate.	2
56	193- 9	LOCKWASHER - 5/16" ET Shakeproof.	2
57	A 38931	GEAR - camshaft (Replaces G2066).	1
58	A 30063	NUT - camshaft.	1
59	A 29438	LOCKWASHER - camshaft nut.	1
60	G 37037	DIPSTICK - oil level.	1
61	G 46892	SEAL - rubber.	1

Printed in U.S.A.

Issued July, 1971



(188) DIESEL ENGINE  
CAMSHAFT

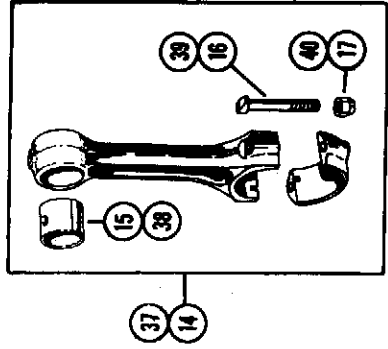
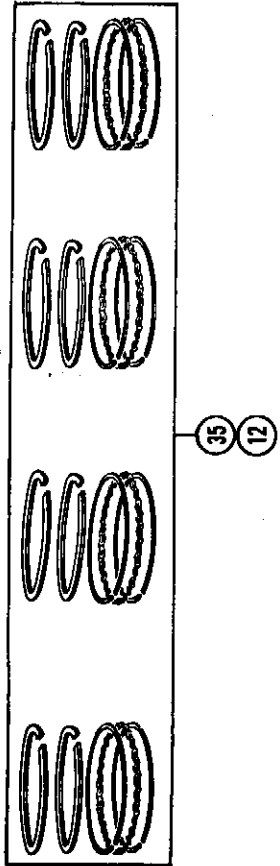
REF.	PART NO.	DESCRIPTION	REQ'D
1	A 39013	CAMSHAFT - (Replaces A36853 & A36890)	1
2	A 42476	BUSHING SET - camshaft (Replaces A36317 & A41232)	1
3	NSS	BUSHING - front and rear	2
4	NSS	BUSHING - intermediate	2
5	NSS	BUSHING - center	1
7	126- 12	KEY - camshaft gear	1
8	A 29290	PLATE - thrust	1
9	A 30056	SCREW - thrust plate	2
10	193- 9	LOCKWASHER - 5/16" ET Shakeproof	2
11	A 38931	GEAR - camshaft (Replaces G2066)	1
12	A 29438	LOCKWASHER - gear nut	1
13	A 30063	NUT - gear to camshaft	1

## CRANKSHAFT AND FLYWHEEL

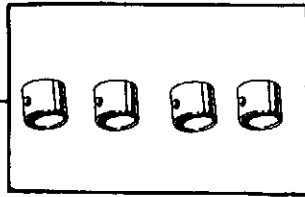
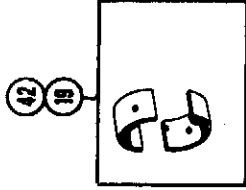
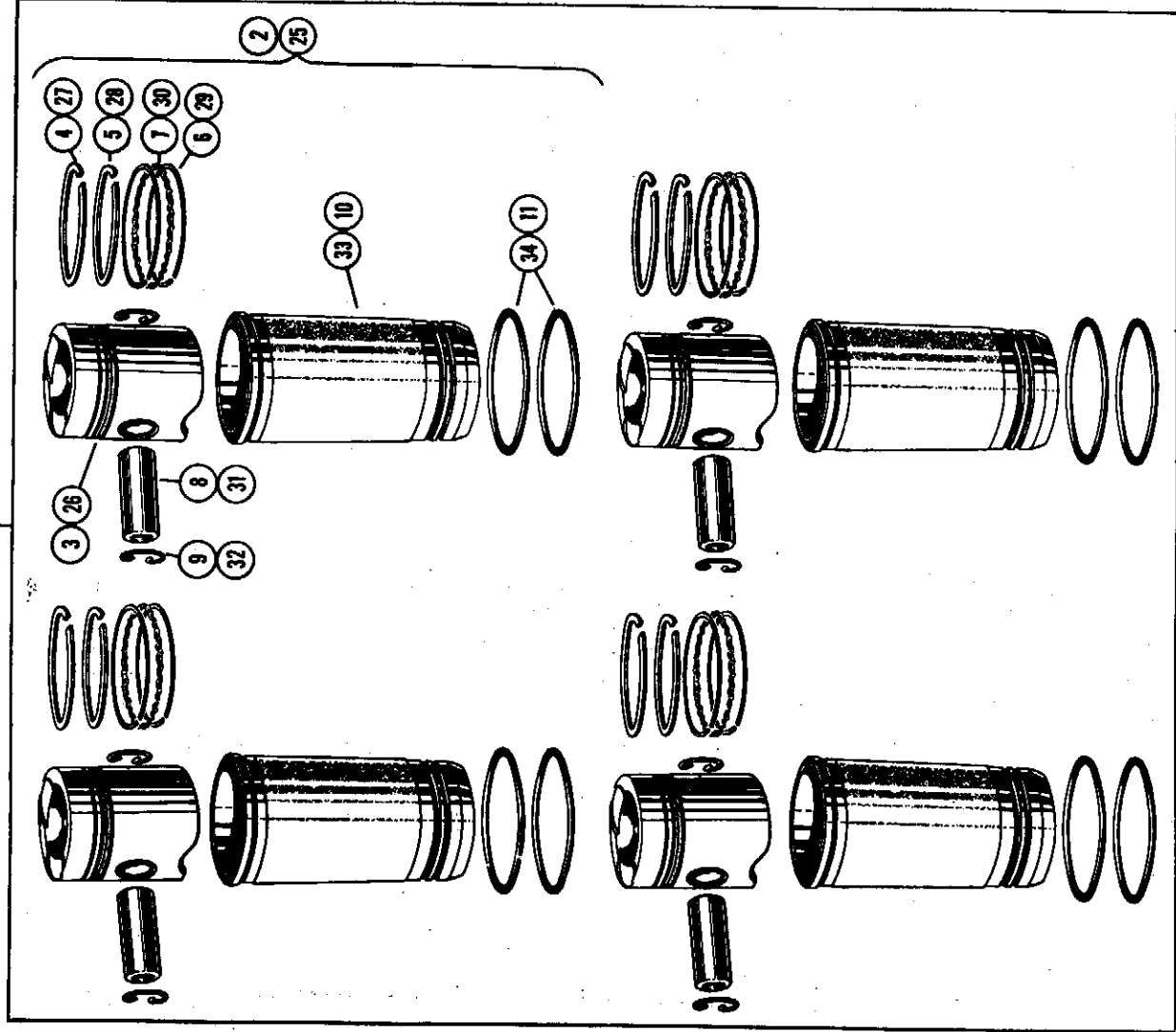
18	A 35673	NUT - pulley to crankshaft	1
19	G 11342	PULLEY - fan & generator drive	1
20	A 36609	OIL SEAL - front, crankshaft	1
21	A 29259	SLINGER - oil	1
22	A 29263	GEAR - crankshaft (24 T)	1
23	A 29294	SPACER - thrust, crankshaft	1
24	126- 216	KEY - pulley & gear to crankshaft	2
25	G 11889	CRANKSHAFT ASSY. - (Order A39150)	1
26	A 30024	BUSHING - pilot	1
27	A 36480	LINERS - front bearing (Std.)	1
27	A 36481	LINERS - front bearing (.002" undersize)	1
27	A 36482	LINERS - front bearing (.010" undersize)	1
27	A 36483	LINERS - front bearing (.020" undersize)	1
27	A 36484	LINERS - front bearing (.030" undersize)	1
28	A 36485	LINERS - intermediate bearing (Std.)	2
28	A 36486	LINERS - intermediate brg. (.002" undersize)	2
28	A 36487	LINERS - intermediate bearing (.010" undersize)	2
28	A 36488	LINERS - intermediate brg. (.020" undersize)	2
28	A 36489	LINERS - intermediate brg. (.030" undersize)	2
29	A 36490	LINERS - center bearing (Std.)	1
29	A 36491	LINERS - center brg. (.002" undersize)	1
29	A 36492	LINERS - center brg. (.010" undersize)	1
29	A 36493	LINERS - center brg. (.020" undersize)	1
29	A 36494	LINERS - center brg. (.030" undersize)	1
30	A 36495	LINERS - rear bearing (Std.)	1
30	A 36496	LINERS - rear bearing (.002" undersize)	1
30	A 36497	LINERS - rear brg. (.010" undersize)	1
30	A 36498	LINERS - rear bearing (.020" undersize)	1
30	A 36499	LINERS - rear brg. (.030" undersize)	1
31	G 2126	CAP - front bearing	1
32	G 2128	CAP - intermediate bearing	2
33	G 2127	CAP - center bearing	1
34	G 2129	CAP - rear bearing	1
35	26- 882	BOLT - front brg. cap (1/2" x 5-1/8")	2
36	26- 872	BOLT - bearing cap (1/2" x 4-1/2")	8
37	A 29434	STUD - flywheel to crankshaft (7/16 x 1-3/4")	4
38	A 38196	GASKET - rear oil seal retainer (Replaces C46802)	1
39	A 38390	RETAINER - rear oil seal (Replaces G2017)	1
40	13- 412	BOLT - 1/4" x 3/4" N. C. hex. hd.	4
41	13- 416	BOLT - 1/4" x 1" N. C. hex. hd.	3
42	92- 4	LOCKWASHER - 1/4" std.	7
43	A 39027	OIL SEAL - rear, crankshaft (Replaces A36610)	1
44	G 11859	FLYWHEEL ASSY. - (w/std. clutch)	1
45	G 11860	FLYWHEEL ASSY. - (w/torque conv.)	1
46	G 11710	GEAR - ring	1
47	25- 117	NUT - 7/16" N. F. hex.	4
48	92- 7	LOCKWASHER - 7/16" std.	4
	A 35558	FLEX COUPLING (For repairs see Page 13)	1

Printed in U.S.A.

Issued July, 1971



1 24



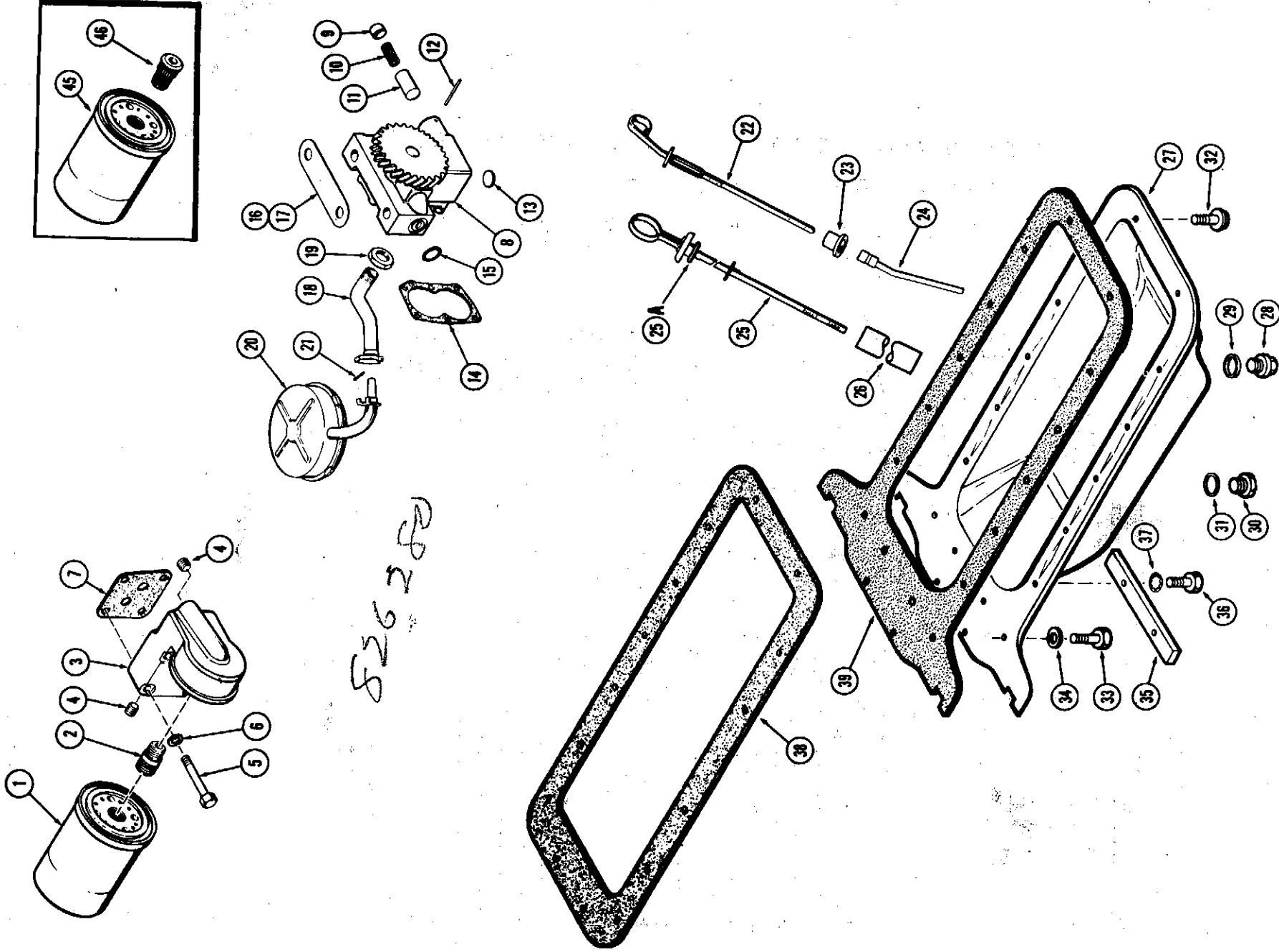
(186) DIESEL ENGINE  
**PISTONS, SLEEVES AND CONNECTING RODS  
 FOR WIDE FLANGED SLEEVES**

REF.	PART NO.	DESCRIPTION	REQ'D
1	A 37764	PISTON & SLEEVE SET - (Set of 4)(Order A42813 piston set & A42001 gasket kit)	1
2	A 37769	PISTON & SLEEVE ASSY. - (Set of 1)(Order A42812 piston set & A42001 gasket kit)	4
3	G 2137	PISTON	1
4	G 4819	RING - compression, 1st groove (See Ref. 12)	1
5	G 4817	RING - compression, 2nd groove (See Ref. 12)	1
6	G 47155	RAIL - oil control, 3rd groove (See Ref. 12)	2
7	G 47174	SPACER - oil control rails (See Ref. 12)	1
8	NSS	PIN - piston (Order A35771)	1
9	G 46702	RING - snap, piston pin ret.	2
10	A 37763	SLEEVE - piston (cylinder liner)(See Note)(Order 1-A39006 sleeve, 4-A38639 fire rings & 1-A38640 cyl. hd. gasket)	1
11	G 46888	"O" RING - sleeve packing	2
12	G 37075	RING SET - (Set of 4)	1
13	A 35771	PIN SET - piston (Set of 4 pins & 8 rings)	1
14	G 11847	ROD ASSY. - connecting	4
15	NSS	BUSHING - piston pin (Order G11953)	1
16	G 49064	BOLT - conn. rod cap	2
17	G 49060	NUT - conn. rod bolt	2
18	G 11953	BUSHING SET - piston pin (Set of 4)	1
19	A 36500	INSERT ASSY. - conn. rod brg. (std.)	4
19	A 36501	INSERT ASSY. - conn. rod brg. (-.002")	4
19	A 36502	INSERT ASSY. - conn. rod brg. (-.010")	4
19	A 36503	INSERT ASSY. - conn. rod brg. (-.020")	4
19	A 36504	INSERT ASSY. - conn. rod brg. (-.030")	4

**FOR NARROW FLANGED SLEEVES**

24	A 35772	PISTON & SLEEVE SET - (Set of 4)	1
25	A 36391	PISTON & SLEEVE ASSY. - (Set of 1)	4
26	A 38424	PISTON - (Replaces G2137)	1
27	G 4819	RING - compression, 1st groove (See Ref. 35)	1
28	G 4817	RING - compression, 2nd groove (See Ref. 35)	1
29	G 47155	RAIL - oil control, 3rd groove (See Ref. 35)	2
30	G 47174	SPACER - oil control rails (See Ref. 35)	1
31	NSS	PIN - piston (Order A35771)	1
32	G 46702	RING - snap, piston pin ret.	2
33	G 2110	SLEEVE - piston (cylinder liner)(See Note)	1
34	G 46888	"O" RING - sleeve packing	2
35	G 37075	RING SET - (Set of 4)	1
36	A 35771	PIN SET - piston (Set of 4 pins & 8 rings)	1
37	G 11847	ROD ASSY. - connecting	4
38	NSS	BUSHING - piston pin (Order G11953)	1
39	G 49064	BOLT - conn. rod cap	2
40	G 49060	NUT - conn. rod bolt	2
41	G 11953	BUSHING SET - piston pin (Set of 4)	1
42	A 36500	INSERT ASSY. - conn. rod brg. (std.)	4
42	A 36501	INSERT ASSY. - conn. rod brg. (-.002")	4
42	A 36502	INSERT ASSY. - conn. rod brg. (-.010")	4
42	A 36503	INSERT ASSY. - conn. rod brg. (-.020")	4
42	A 36504	INSERT ASSY. - conn. rod brg. (-.030")	4

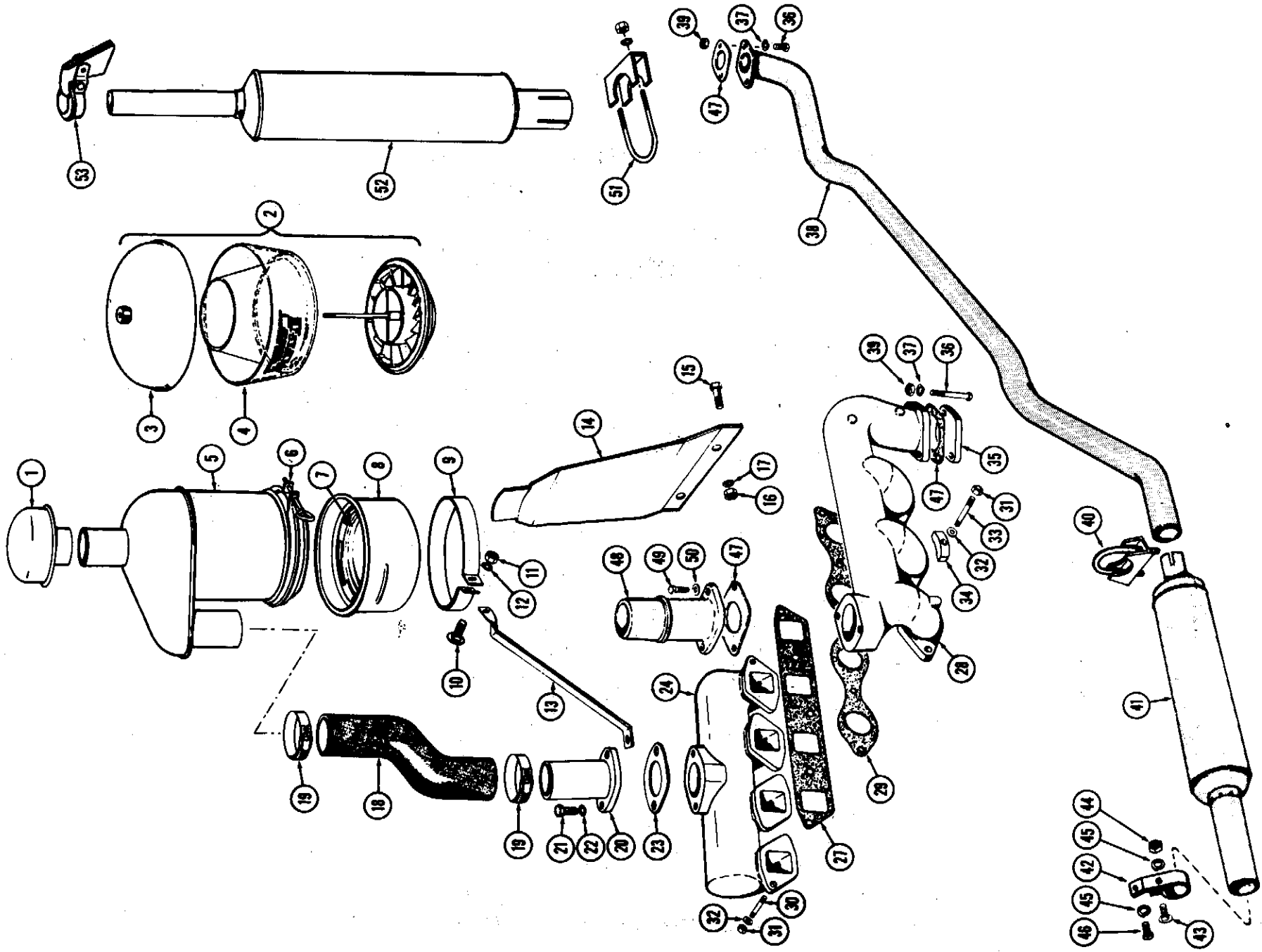
NOTE: A37763 LINER: 4.53" ACROSS FLANGED AREA  
 G2110 LINER: 4.45" ACROSS FLANGED AREA





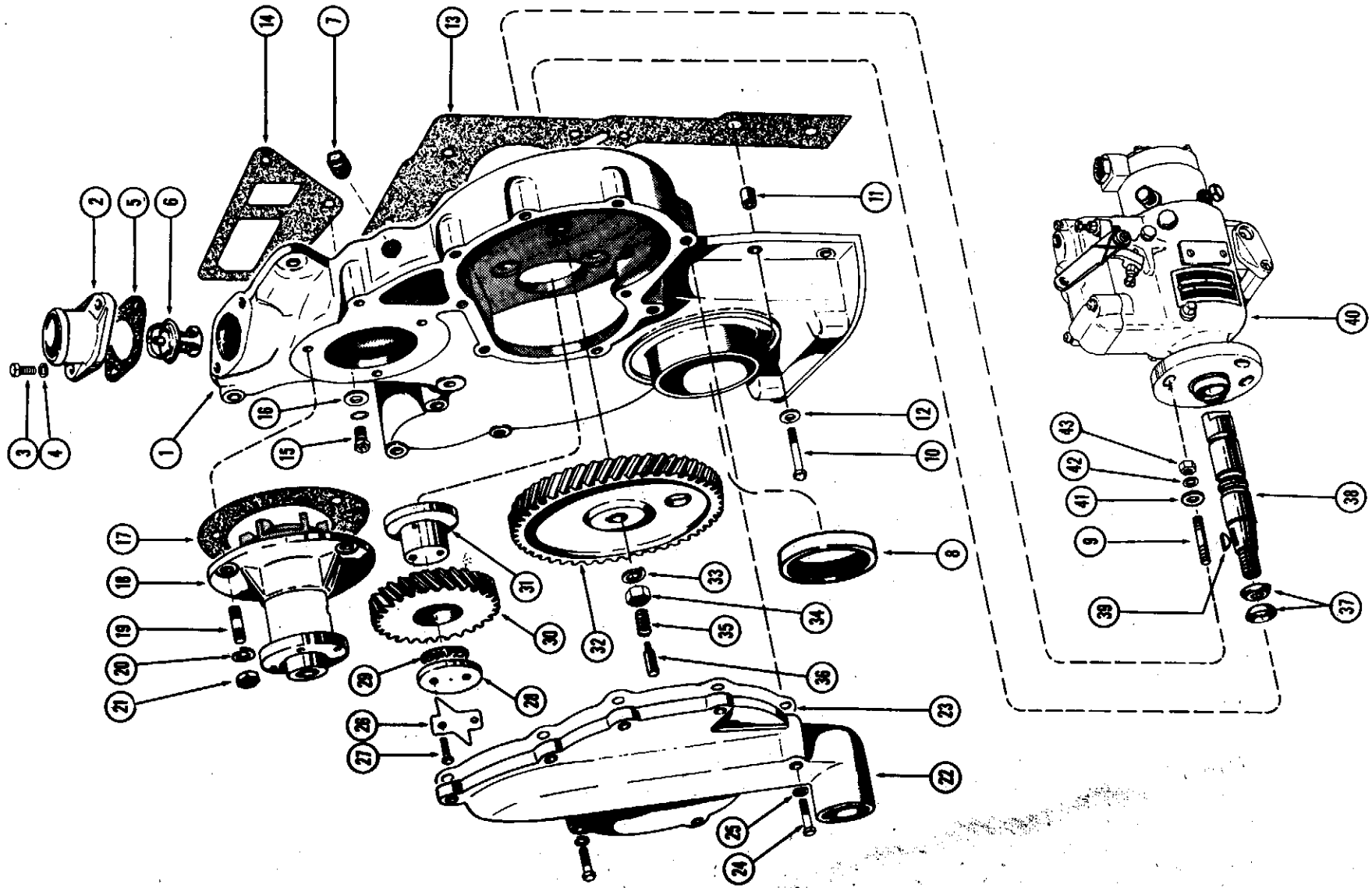
(188) DIESEL ENGINE  
OIL PUMP-OIL FILTER-OIL PAN

REF.	PART NO.	DESCRIPTION	REQ'D
1	G 45210	FILTER - engine oil.	1
2	A 35557	ADAPTER - filter to bracket	1
3	A 35556	BRACKET - filter mtg.	1
4	221- 1841	PLUG - pipe, 1/4" socket hd.	4
5	13- 528	BOLT - 5/16" x 1-3/4" N. C. hex. hd.	4
6	193- 29	LOCKWASHER - 5/16" I. T. Shakeproof.	4
7	G 46854	GASKET - bracket to block	1
8	A 38372	OIL PUMP ASSY. - complete (Replaces G37070)	1
9	A 29260	RETAINER - relief spring	1
10	G 46500	SPRING - relief.	1
11	A 29279	VALVE - relief	1
12	138- 62	ROLL PIN - 1/8" x 1/4"	1
13	A 30020	PLUG - pump body	2
14	G 46852	GASKET - pump cover.	1
15	A 27365	"O" RING - oil port	1
16	G 11337	SHIM - pump to block (.002")	2
17	G 11338	SHIM - pump to block (.005")	1
18	G 45766	PIPE - suction.	1
19	223- 207	NUT - lock, pipe to pump	1
20	A 30126	FLOAT ASSY. - (includes screen)(Order A39036 & A39035)	1
21	132- 50	PIN - cotter, 1/8" x 1-1/4"	1
22	G 37037	DIPSTICK - (Before eng. #2121404) See ref. 25	1
23	G 46892	SEAL - rubber.	1
24	G 45139	SUPPORT - dipstick (Before eng. #2121404)	1
25	A 37148	DIPSTICK - (Eng. #2121404 and after)	1
25A	F 62075	"O" RING - dipstick seal.	2
26	A 37149	TUBE - dipstick (Eng. #2121404 and after)	1
27	A 36721	OIL PAN ASSY. - (Replaces A36720)	1
28	A 14280	PLUG - drain (3/4" N.F. thrd.)	1
29	A 58608	GASKET - drain plug (copper)	1
30	G 45786	PLUG - drain (3/8" P. T.)	1
31	G 46903	GASKET - drain plug (fiber)	1
32	193- 514	BOLT - oil pan (includes lockwasher)	12
33	13- 520	BOLT - rear, 5/16" x 1-1/4" N. C. hex. hd.	2
34	195- 400	WASHER - sealing	2
35	G 11372	STRIP - reinforcing	1
36	13- 516	BOLT - 5/16" x 1" N. C. hex. hd.	2
37	193- 29	LOCKWASHER - 5/16" I. T. Shakeproof	2
38	NSS	GASKET - (w/std. clutch) Order A40712 from Page 39	2
39	NSS	GASKET - (w/torque converter) Order A40713 from Page 39	2



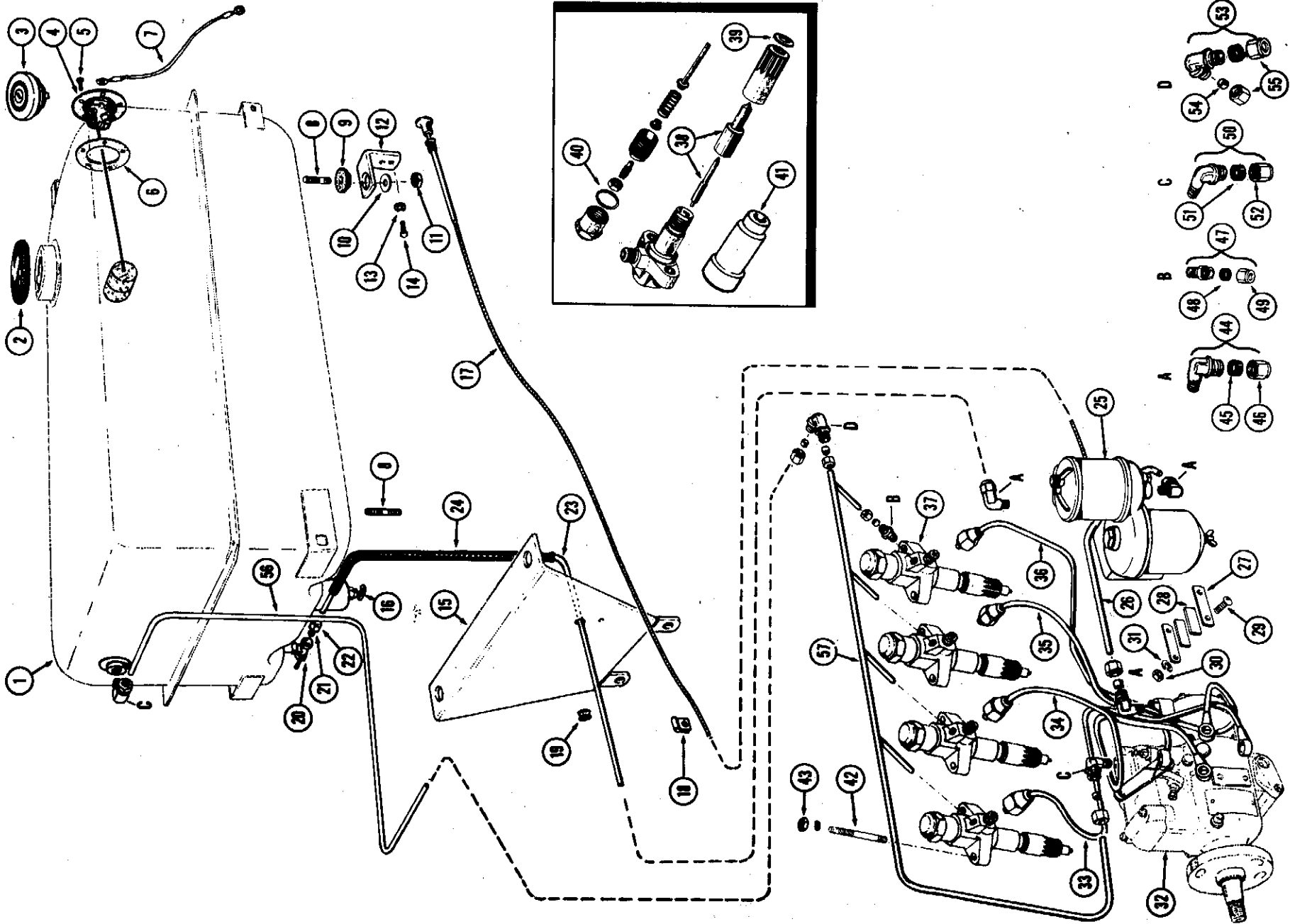
(188) DIESEL ENGINE  
AIR CLEANER-MANIFOLD-MUFFLER

REF.	PART NO.	DESCRIPTION	REQ'D
1	A 21430	CAP - air cleaner.	1
2	A 24439	PRE-CLEANER ASSY.	1
3	73187	COVER.	1
4	73186	BODY - plastic	1
5	A 35586	AIR CLEANER ASSY.	1
6	A 8297	CLAMP - oil cup	1
7	R 15280	CUP - oil, inner	1
8	R 15279	CUP - oil, outer	1
9	A 16898	BAND - mounting, air cleaner.	1
10	11- 412	BOLT - 1/4" x 3/4" rd. hd. sq. nk.	1
11	25- 104	NUT - 1/4" N. C. hex.	1
12	92- 4	LOCKWASHER - 1/4" std.	1
13	A 37788	BRACE - air cleaner to engine	1
14	A 36613	BRACKET - air cleaner mounting.	1
15	14- 612	BOLT - 3/8" x 3/4" N. F. hex. hd.	2
16	25- 116	NUT - 3/8" N. F. hex.	2
17	92- 6	LOCKWASHER - 3/8" std.	2
18	A 35589	HOSE - air cleaner to manifold.	1
19	214- 262	CLAMP - hose.	2
20	A 37098	FLANGE - inlet.	1
21	13- 618	BOLT - 3/8" x 1-1/8" N. C. hex. hd.	2
22	92- 6	LOCKWASHER - 3/8" std.	2
23	D 22670	GASKET - flange to manifold.	1
24	A 35782	MANIFOLD - intake	1
27	G 46871	GASKET - intake manifold.	1
28	G 2113	MANIFOLD - exhaust.	1
29	G 46872	GASKET - exhaust manifold.	1
30	A 29431	STUD - manifold to head (3/8 x 1-3/4").	4
31	131- 903	NUT - 3/8" N. C. (Seez-Pruf)	10
32	195- 25	WASHER - 3/8" plain.	10
33	A 35175	STUD - muffler clamp.	6
34	A 35028	CLAMP - manifold to head.	6
35	A 38188	COVER - exhaust opening.	1
36	13- 624	BOLT - 3/8" x 1-1/2" N. C. hex. hd.	2
37	92- 6	LOCKWASHER - 3/8" std.	2
38	A 36908	PIPE - exhaust, underneath	1
39	131- 903	NUT - brass, 3/8" N.C. hex.	2
40	A 27077	CLAMP - pipe to muffler	1
41	G 45287	MUFFLER - underneath	1
42	A 36909	CLAMP - rear, muffler.	1
43	11- 516	BOLT - 5/16" x 1" rd. hd. sq. nk.	1
44	25- 105	NUT - 5/16" N. C. hex.	1
45	92- 5	LOCKWASHER - 5/16" std.	2
46	13- 510	BOLT - 5/16" x 5/8" N. C. hex. hd.	1
47	G 46853	GASKET - exhaust outlet	2
48	G 2095	ELBOW - exhaust.	1
49	13- 616	BOLT - 3/8" x 1" N. C. hex. hd.	2
50	92- 6	LOCKWASHER - 3/8" std.	2
51	A 13240	CLAMP - upright muffler.	1
52	A 39022	MUFFLER - upright (Replaces G45239)	1
53	G 45048	CAP - weather.	1



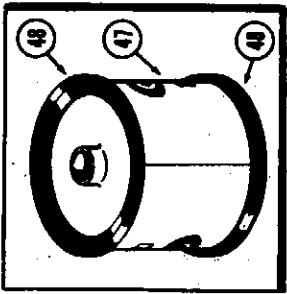
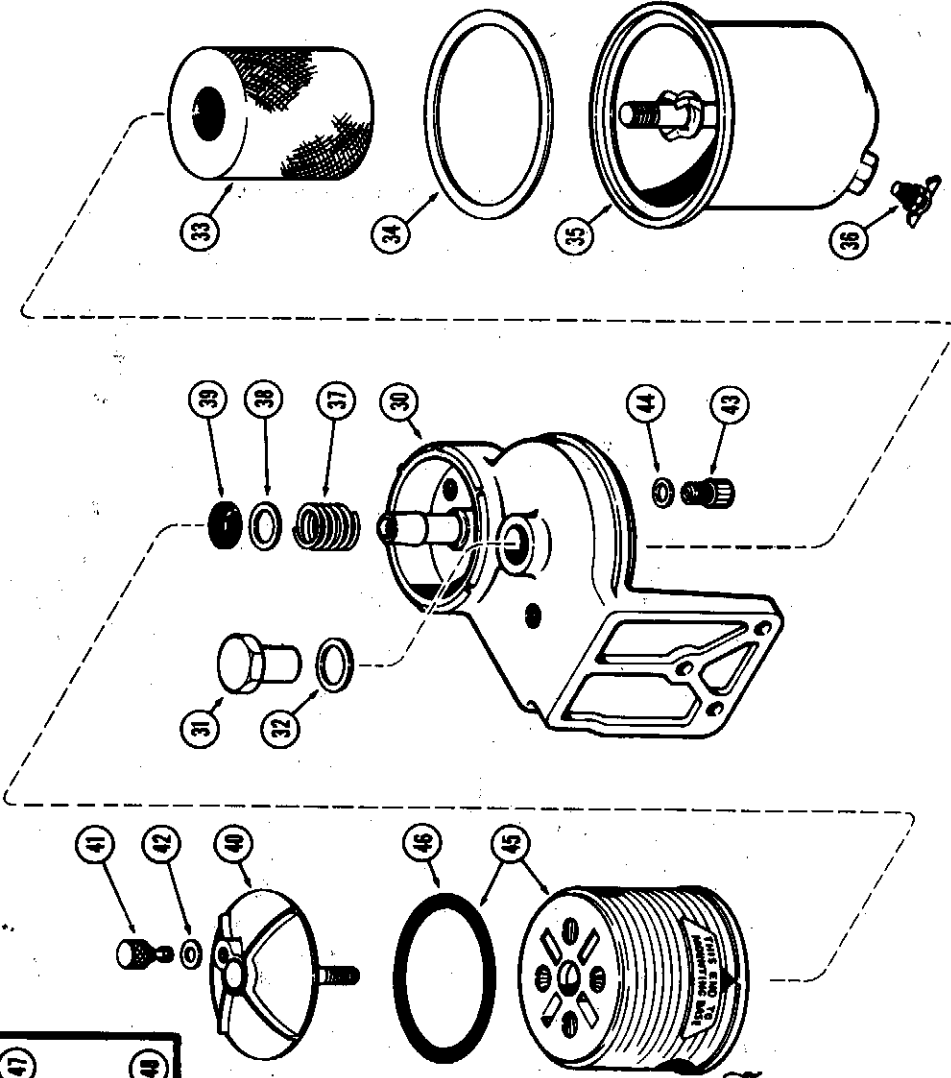
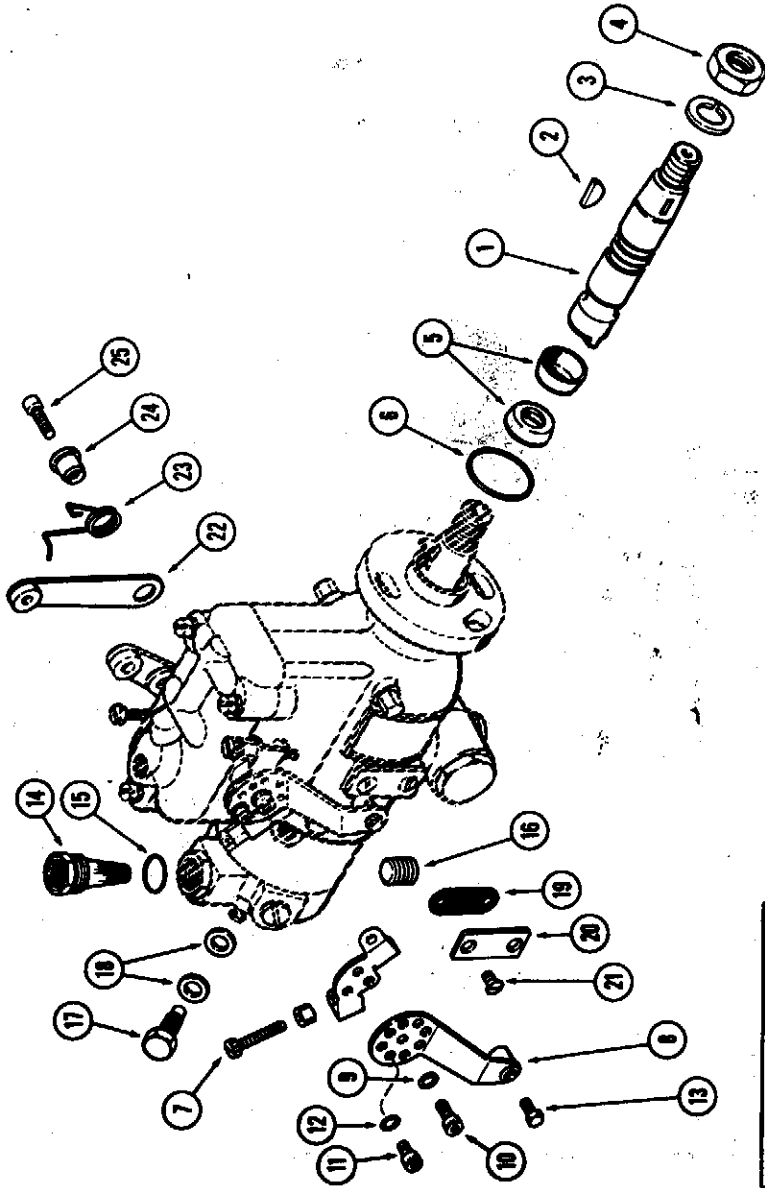
(188) DIESEL ENGINE  
FUEL INJECTION PUMP DRIVE

REF.	PART NO.	DESCRIPTION	REQ'D
1	A 36823	COVER - injection pump drive	1
2	G 2144	CONNECTION - water outlet	1
3	13- 616	BOLT - 3/8" x 1" N. C. hex. hd.	2
4	92- 6	LOCKWASHER - 3/8" std.	2
5	G 46907	GASKET - water outlet	1
6	A 57641	THERMOSTAT - (180°)(Replaces G45788)	1
7	221- 1843	PLUG - pipe, 3/8" sq. hd.	1
8	A 36609	OIL SEAL - crankshaft front	1
9	G 11204	STUD - pump mtg. (3/8" x 1-7/16")	3
10	13- 614	BOLT - 3/8" x 7/8" N. C. hex. hd.	2
10	13- 620	BOLT - 3/8" x 1-1/4" N. C. hex. hd.	3
10	13- 624	BOLT - 3/8" x 1-1/4" N. C. hex. hd.	3
10	13- 632	BOLT - 3/8" x 2" N. C. hex. hd.	1
10	13- 644	BOLT - 3/8" x 2-3/4" N. C. hex. hd.	3
10	13- 648	BOLT - 3/8" x 3" N. C. hex. hd.	1
10	13- 652	BOLT - 3/8" x 3-1/4" N. C. hex. hd.	3
11	A 29442	RING - dowel, cover to block	2
12	95- 6	WASHER - 3/8" plain	2
13	A 38228	GASKET - cover to block (Replaces G46857)	1
14	A 38084	GASKET - cover to head (Replaces G46858)	1
15	G 49083	BOLT - drilled, cover to hd. (1/2" x 3/4")	1
15	193- 32	LOCKWASHER - 1/2" int. Shakeproof	1
16	A 30058	WASHER - drilled bolt	1
17	A 39074	GASKET - water pump to cover	1
18	G 11939	WATER PUMP - complete (See Page 37).	1
19	A 29433	STUD - pump mtg. (3/8 x 1")	3
20	25- 106	NUT - 3/8" N. C. hex.	3
21	92- 6	LOCKWASHER - 3/8" std.	3
22	G 2077	COVER - drive gear	1
23	G 46859	GASKET - gear cover	1
24	13- 632	BOLT - 3/8" x 2" N. C. hex. hd.	1
24	13- 616	BOLT - 3/8" x 1" N. C. hex. hd.	8
25	92- 6	LOCKWASHER - 3/8" std.	9
26	G 11746	PLATE - lock, idler gear	1
27	13- 632	BOLT - 3/8" x 2" N. C. hex. hd.	2
28	G 11732	PLATE - thrust, idler gear	1
29	G 11728	SHIM - idler gear (.005")	1
29	G 11729	SHIM - idler gear (.006")	1
29	G 11730	SHIM - idler gear (.007")	1
29	G 11731	SHIM - idler gear (.008")	1
30	G 11852	GEAR ASSY. - idler (incl. bushing)	1
31	G 11726	HUB - idler gear	1
32	G 2076	GEAR - drive, injection pump	1
33	192- 24	LOCKWASHER - pump drive shaft	1
34	25- 159	NUT - 9/16" N. F. hex. jam	1
35	G 48502	SPRING - thrust, pump drive shaft	1
36	G 47128	PLUNGER - thrust spring	1
37	R 14711	SEAL - drive shaft	2
38	G 47113	SHAFT - pump drive	1
39	126- 12	KEY - #6 Woodruff	1
40	A 35773	PUMP - injection, 530 w/std. clutch (See page 57)	1
40	A 35774	PUMP - injection, 530 w/Case-O-Matic (See p. 57)	1
41	A 30043	WASHER - pump mtg. stud	3
42	92- 6	LOCKWASHER - 3/8" std.	3
43	25- 106	NUT - 3/8" N. C. hex.	3



(188) DIESEL ENGINE  
FUEL TANK AND INJECTION SYSTEM

REF.	PART NO.	DESCRIPTION	REQ'D
1	A 36561	TANK - fuel	1
2	A 32119	CAP - fuel tank (Tractor #8247916 and after)	1
2	A 33558	CAP - fuel tank (Before Tractor #8247916)	1
3	A 32120	CAP - fuel tank (locking type includes keys) Before Tractor #8247916	1
4	A 23480	SENDER - fuel gauge	1
5	193- 501	SCREW - sender to tank	5
6	A 11822	GASKET - sender to tank	1
7	A 11783	CABLE - sender to gauge	1
8	A 8373	STUD - tank mounting (3/8" x 2-7/16")	3
9	A 7336	CUSHION - tank stud	3
10	B 18261	WASHER - tank stud	3
11	131- 5	NUT - lock, tank stud (3/8" N.F.)	3
12	A 36177	SUPPORT - rear, fuel tank	1
13	92- 5	LOCKWASHER - 5/16" std.	2
14	13- 520	BOLT - 5/16" x 1-1/4" N.C. hex. hd.	2
15	A 35629	SUPPORT - front, fuel tank	1
16	217- 107	VALVE - drain, tank	1
17	A 38454	CONTROL - fuel shut-off (Replaces A36573)	1
18	A 28673	CLIP - shut-off wire	1
19	G 49865	BUSHING - fuel line	1
20	A 7313	VALVE - needle	1
21	222- 104	SLEEVE - 3/8" tube	1
22	222- 114	NUT - 3/8" tube	1
23	A 35630	LINE - valve to filter	1
24	A 27241	LOOM - fuel line	1
25	A 35735	FILTER ASSY. - (For repairs see Page 57)	1
26	A 36566	LINE - fuel, filter to pump	1
27	A 27978	CLAMP - injection tube	2
28	A 27980	CUSHION - tube clamp	2
29	173- 102	SCREW - clamp, #10-24 x 1" rd. hd.	2
30	129- 7	NUT - #10-24 hex.	2
31	92- 3	LOCKWASHER - 3/16" std.	2
32	A 35773	PUMP - injection (w/std. clutch) Repairs Page 57	1
32	A 35774	PUMP - injection (w/Case-O-Matic) Repairs Page 57	1
33	A 35058	TUBE - pump to #1 injector	1
34	A 35059	TUBE - pump to #2 injector	1
35	A 35060	TUBE - pump to #3 injector	1
36	A 35061	TUBE - pump to #4 injector	1
37	A 49056	INJECTOR - fuel	4
38	A 35085	NOZZLE - injector	1
39	G 49068	GASKET - seat, injector	1
40	G 46885	GASKET - adjusting cap	1
41	G 11724	LINER - injector to head	4
42	A 29431	STUD - injector to head (3/8 x 1-3/4")	8
43	25- 106	NUT - 3/8" N.C. hex.	8
44	222- 47	ELBOW - 3/8" O.D. x 1/4" P.T.	3
45	222- 104	SLEEVE - 3/8" tube	1
46	222- 114	NUT - 3/8" tube	1
47	222- 21	FITTING - leak-off, 3/16" O.D. x 1/8" P.T.	4
48	222- 101	SLEEVE - 3/16" tube	1
49	222- 111	NUT - 3/16" tube	1
50	222- 45	ELBOW - 5/16" O.D. x 1/8" P.T.	2
51	222- 103	SLEEVE - 5/16" tube	1
52	222- 113	NUT - 5/16" tube	1
53	222- 133	ELBOW - 5/16" O.D.	1
54	222- 103	SLEEVE - 5/16" tube	2
55	222- 113	NUT - 5/16" tube	2
56	A 35631	LINE - fuel leak-off to tank	1
57	A 36511	MANIFOLD - fuel leak-off	1



3315  
LW

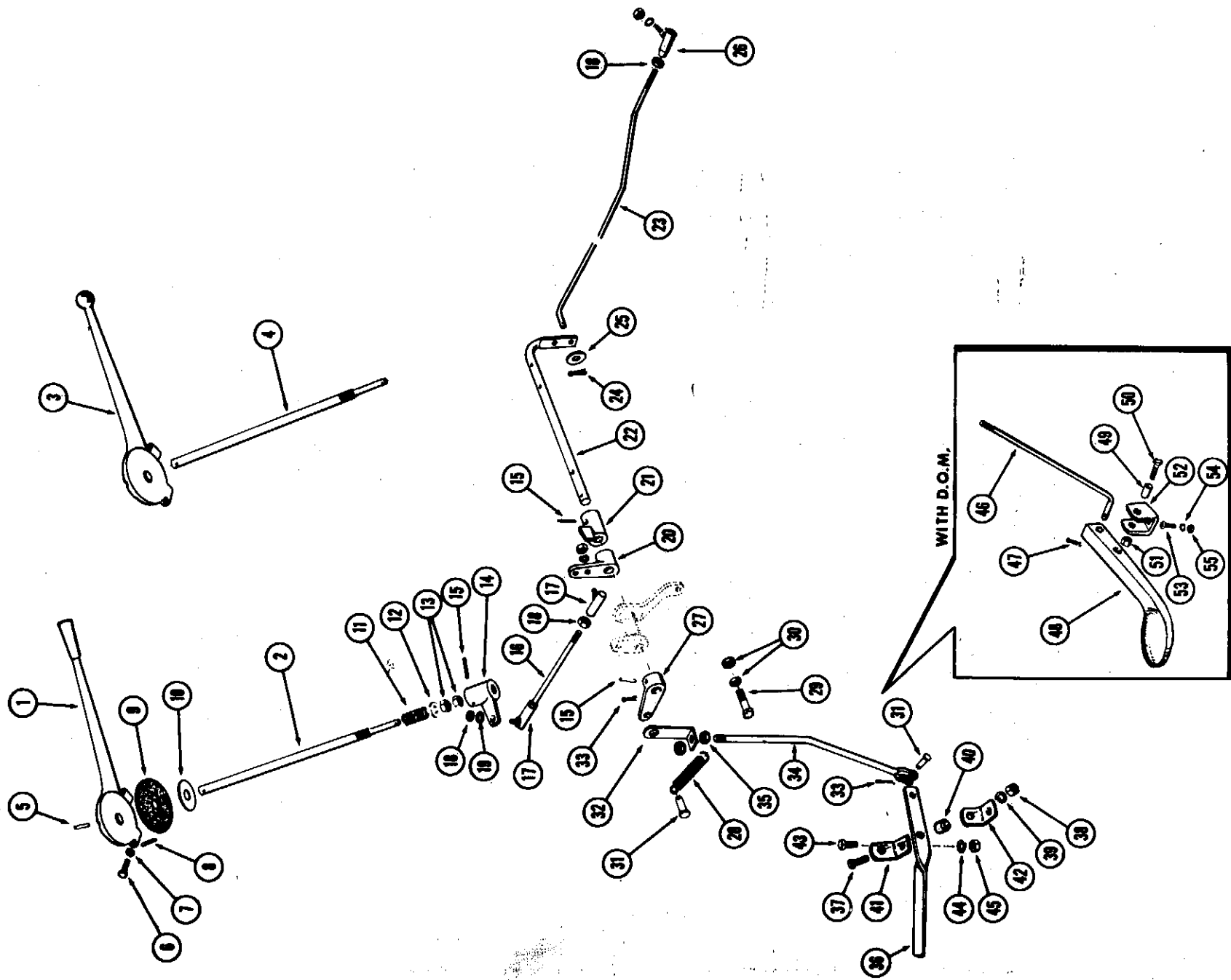


(188) DIESEL ENGINE  
PARTS FOR FUEL INJECTION PUMP

REF.	PART NO.	DESCRIPTION	REQ'D
1	G 47113	SHAFT - drive	1
2	126- 12	KEY - #6 Woodruff	1
3	192- 24	LOCKWASHER - drive shaft nut	1
4	25- 159	NUT - jam, 9/16" N.F.hex.	1
5	R 14711	SEAL - drive shaft	1
6	74244	SEAL pilot tube	1
7	G 49088	SCREW adjusting, high idle	1
8	G 45337	ARM - shut-off.	1
9	73630	WASHER shut-off arm retaining screw	1
10	73670	SCREW retaining, shut-off arm	1
11	73646	SCREW positioning, shut-off arm	1
12	73645	LOCKWASHER positioning screw	1
13	73667	SCREW fitting, shut-off arm	1
14	73671	CAP AND FILTER	1
15	73666	SEAL filter cap	1
16	221- 1841	PLUG - pipe, end plate	1
17	73613	SCREW connector, fuel line	4
18	G 49407	WASHER connector screw	8
19	73453	GASKET timing window cover.	1
20	G 46330	COVER timing window.	1
21	73514	SCREW timing window cover	2
22	G 45338	ARM throttle	1
23	G 48505	SPRING throttle arm	1
24	G 49621	RETAINER spring, throttle arm	1
25	G 49079	SCREW throttle arm	1

## FUEL FILTERS

A 35735	FILTER ASSY - complete	1
30 A 35664	HEAD - fuel filter mounting	1
31 A 21131	NUT - primary filter body to head	1
32 A 28055	GASKET - nut to head	1
33 A 35863	ELEMENT - primary filter	1
34 A 28056	GASKET - primary filter body to head	1
35 A 37099	BODY - primary filter	1
36 217- 102	DRAIN COCK - primary filter (1/8" P. T.)	1
37 A 35669	SPRING - final filter	1
38 A 35670	WASHER - final filter	1
39 A 35671	SEAL - rubber	1
40 A 35672	CAP - final filter	1
41 A 35971	VALVE - bleeder	1
42 A 35972	GASKET - bleeder valve	1
43 G 49080	PLUG - drain, final filter	1
44 A 27891	GASKET - drain plug, final filter (Replaces G46886)	1
45 A 39109	FILTER - final (Replaces A37187)	1
46 A 37188	GASKET - final filter (See ref. 48)	1
47 A 35668	FILTER - final (Order A37187)	1
48 G 46895	GASKET - final filter (See ref. 46)	2



(188) DIESEL ENGINE  
THROTTLE CONTROL LINKAGE

REF.	PART NO.	DESCRIPTION	REQ'D
1	A 38018	LEVER - hand (Tractor #8245396 and after)	1
2	A 36512	SHAFT - hand lever (Trac. #8245396 and after)	1
3	A 35632	LEVER - hand (Can use ref. 1 and 2)	1
4	A 35643	SHAFT - hand lever (Can use ref. 1 and 2)	1
5	138- 77	ROLL PIN - 5/32" x 1"	1
6	13- 412	BOLT - 1/4" x 3/4" N. C. hex. hd.	2
7	25- 104	NUT - 1/4" N. C. hex.	2
8	138- 130	ROLL PIN - lever stop, 1/4" x 3/4"	1
9	A 11969	DISC. - friction	1
10	A 32838	WASHER - friction disc	1
11	A 34113	SPRING - tension	1
12	195- 33	WASHER - 1/2" plain	1
13	25- 158	NUT - jam, 1/2" N. F. hex.	2
14	A 35644	LEVER - lower, hand lever shaft	1
15	138- 77	ROLL PIN - 5/32" x 1"	4
16	A 35642	ROD - intermediate	1
17	A 10329	BALL JOINT - intermediate shaft	2
18	25- 114	NUT - 1/4" N. F. hex.	4
19	92- 4	LOCKWASHER - 1/4" std.	5
20	A 35638	LEVER - cross shaft	1
21	A 35639	LEVER - override, foot throttle	1
22	A 35636	SHAFT - cross, throttle lever	1
23	A 35635	ROD - cross shaft to injection pump	1
24	132- 26	PIN - cotter, 3/32" x 3/4"	1
25	95- 5	WASHER - 5/16" plain	1
26	A 10329	BALL JOINT - rod to pump	1
27	A 35640	LEVER - foot throttle to cross shaft	1
28	B 18277	SPRING - return	1
29	14- 648	BOLT - 3/8" x 3" NF hex. hd.	1
30	25- 156	NUT - jam, 3/8" N. F. hex.	2
31	141- 4	PIN - yoke (w/o Draft-O-Matic)	3
32	G 16898	LINK - foot throttle to lever	1
33	132- 26	PIN - cotter, 3/32" x 3/4"	2
34	G 46256	ROD - throttle (w/o Draft-O-Matic)	1
35	25- 116	NUT - 3/8" N. F. hex.	2
36	G 16902	PEDAL - foot throttle (w/Draft-O-Matic)	1
37	14- 616	BOLT - 3/8" x 1" N. F. hex. hd.	1
38	25- 116	NUT - 3/8" N. F. hex.	1
39	92- 6	LOCKWASHER - 3/8" std.	1
40	G 49606	BUSHING - pedal (w/o Draft-O-Matic)	1
41	G 16901	BRACKET - lower half (w/o Draft-O-Matic)	1
42	G 16904	BRACKET - upper half (w/o Draft-O-Matic)	1
43	77- 512	SCREW - truss hd., 5/16" x 3/4"	1
44	92- 5	LOCKWASHER - 5/16" std.	1
45	25- 105	NUT - 5/16" N. C. hex.	1
46	A 35641	ROD - foot throttle (w/Draft-O-Matic)	1
47	132- 26	PIN - cotter, 3/32" x 3/4"	1
48	G 15692	PEDAL - foot (w/Draft-O-Matic)	1
49	G 49618	BUSHING - pedal pivot (w/Draft-O-Matic)	1
50	14- 524	BOLT - 5/16" x 1-1/2" N. F. hex. hd.	1
51	25- 115	NUT - 5/16" N. F. hex.	1
52	G 15694	BRACKET - pedal (w/Draft-O-Matic)	1
53	77- 512	SCREW - truss hd., 5/16" x 3/4"	1
54	92- 5	LOCKWASHER - 5/16" std.	1
55	25- 105	NUT - 5/16" N. C. hex.	1

